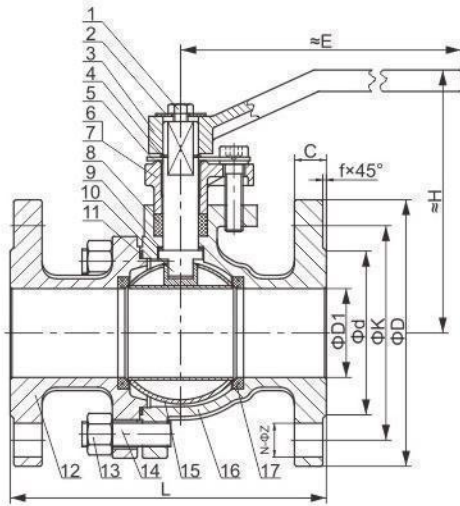


ANSI FLANGE BALL VALVE

1/2-14 Q41F-CL150



技术要求 Applicable Standards

1. 设计标准 Design Rating: ASME B 16.34;
2. 结构长度 Face to Face: ASME B16.10;
3. 法兰标准 Flanged Ends: ASME B16.5;
4. 检查和试验 Inspection & Testing: API 598.

主要零部件材料 Main Parts and Materials

No.	零件名称 PAPT NAME	材质 MATERIAL
1	螺栓 Screw	B7 304
2	垫片 Washer	1020 304
3	手柄 Handle	WCB
4	挡圈 Retaining ring	65Mn 304
5	限位块 Orientation patch	1020 304
6	螺钉 Screw	B7 304
7	填料压盖 Gland	WCB CF8
8	填料 Packing	PTFE
9	止推垫 Thrust Gasket	PTFE

No.	零件名称 PAPT NAME	材质 MATERIAL
10	阀杆 Stem	304 304/316
11	密封垫 Gasket	PTFE
12	阀盖 Bonnet	WCB CF8/CF8M
13	螺母 Nut	2H 304
14	螺柱 Stud	B7 304
15	球体 Ball	304 304/316
16	阀体 Body	WCB CF8/CF8M
17	阀座 Seat	PTFE

主要外形尺寸和连接尺寸 Main External and Connecting Dimensions

NPS	D1	d	K	D	C	f	N-ΦZ	L	H	E
1/2	15	34.9	60.3	90	2	10.0	4-16	108	79	125
3/4	20	42.9	69.9	100	2	10.9	4-16	117	82	125
1	25	50.8	79.4	110	2	11.6	4-16	127	102	155
1 1/4	32	63.5	88.9	115	2	13.2	4-16	140	106	155
1 1/2	38	73.0	98.4	125	2	14.7	4-16	165	128	240
2	50	92.1	120.7	150	2	16.3	4-19	178	135	240
2 1/2	65	104.8	139.7	180	2	17.9	4-19	190	145	280
3	78	127.0	152.4	190	2	19.5	4-19	203	160	320
4	98	157.2	190.5	230	2	24.3	8-19	229	180	320
5	123	185.7	215.9	255	2	24.3	8-22	356	252	530
6	148	215.9	241.3	280	2	25.9	8-22	394	285	630
8	198	269.9	298.5	345	2	29.0	8-22	457	385	800
10	248	323.8	362.0	405	2	30.6	12-25	533	485	涡轮 Turbine
12	298	381.0	431.8	485	2	32.2	12-25	610	545	
14	348	412.8	476.3	535	2	35.4	12-29	686	635	